

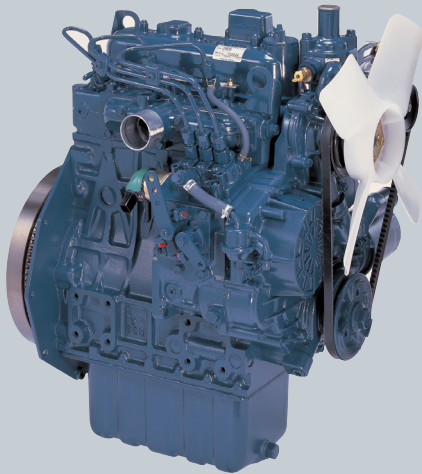
INDUSTRIAL DIESEL ENGINE

KUBOTA 05 SERIES (3-cylinder)

D1005-E4B

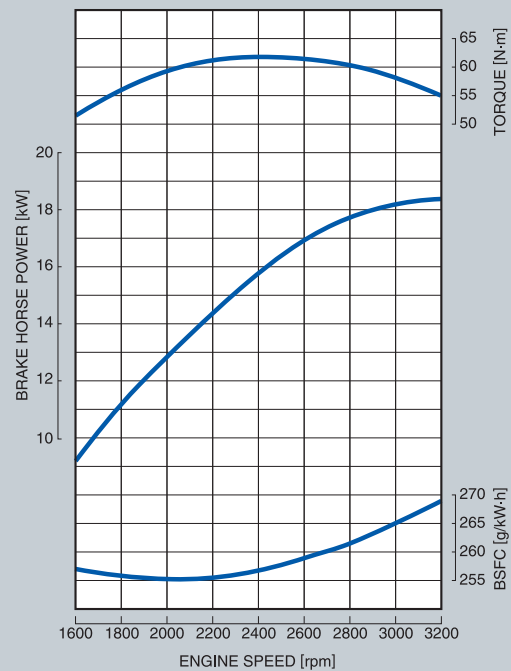
RATED POWER

18.5kW @ 3200rpm



Photograph may show non-standard equipment.

PERFORMANCE CURVE



FEATURES and BENEFITS

Emissions

Kubota 05 Series, the compact multi-cylinder liquid cooled industrial diesel engines, complies with EPA Tier 4 emissions regulations. These are most stringent emissions regulations in the world in this class.

Kubota engine less than 19kW meets emission standards over the NRTC and also meets the NTE requirements.

Durable Power

The Kubota 05 Series is an established leader in its horsepower range and has been the preferred power source of various industrial equipment manufactures.

Clean and Quiet Power

Kubota's original E-TVCS(Three Vortex Combustion System) has been further improved for better emissions.

Option

A variety of engine accessory options is also available.

KUBOTA 05 SERIES D1005-E4B

GENERAL SPECIFICATION

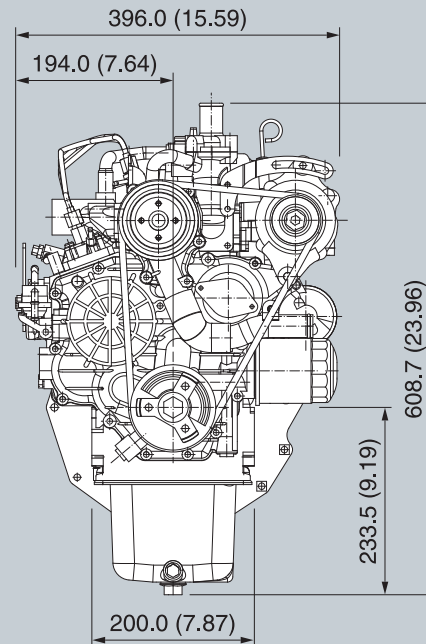
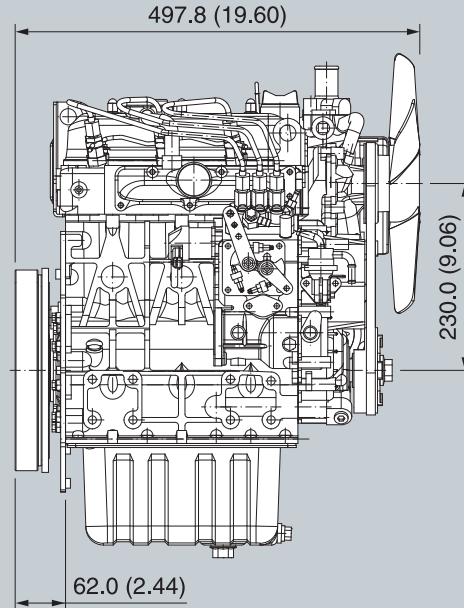
| | | | |
|-------------------------------|-----------|---------------------------------------|------|
| Model | | D1005-E4B | |
| Emission Regulation | | Tier 4 | |
| Type | | Vertical 4-cycle Liquid Cooled Diesel | |
| Number of Cylinders | | 3 | |
| Bore | mm (in) | 76.0 (2.99) | |
| Stroke | mm (in) | 73.6 (2.90) | |
| Displacement | L (cu.in) | 1.001 (61.08) | |
| Combustion System | | IDI | |
| Intake System | | Naturally Aspirated | |
| Maximum Speed | rpm | 3000 | 3200 |
| | | | |
| Output: Gross Intermittent | kW | 17.5 | 18.5 |
| | hp | 23.5 | 24.8 |
| Direction of Rotation | | Counterclockwise Viewed on Flywheel | |
| Oil Pan Capacity | L (gal) | 5.1 (1.35) | |
| Starter Capacity | V-kW | 12-1.2 | |
| Alternator Capacity | V-A | 12-40 | |
| Length | mm (in) | 497.8 (19.60) | |
| Width | mm (in) | 396.0 (15.59) | |
| Height (1) | mm (in) | 608.7 (23.96) | |
| Height (2) | mm (in) | 233.5 (9.19) | |
| Dry Weight | kg (lb) | 93.0 (205.0) | |

*Specification is subject to change without notice.

*Output: Gross Intermittent SAE J1995

*Dry weight is according to Kubota's standard specification.
When specification varies, the weight will vary accordingly.

DIMENSIONS



Distribuidor Autorizado

Calle Uno - Mza. "A" - Lote 11 - Urb. Santo Tomas de Garagay
Lima 31 - Perú

Teléfonos: (511) 535-7393 / (511) 556-2512

Celular: (51) 9835-15428

Nextel: 41*351*5428

E-mail: lacasadelbobcat@bobcatsservice.com

Web.: www.kubotadieselmotors.com



BobCat's Service & Parts s.a.c.

Maquinaria - Repuestos - Servicio Técnico Especializado - Alquileres

KUBOTA ENGINE AMERICA

505 Schelter Road Lincolnshire, IL 60069
Phone: 847-955-2500 Fax: 847-955-2501
www.kubotaengine.com

KUBOTA CANADA, LTD

5900 14th Avenue, Markham, Ontario L3S 4K4
Phone: 905-294-7477 Fax: 905-294-1554

For Earth, For Life

Kubota