



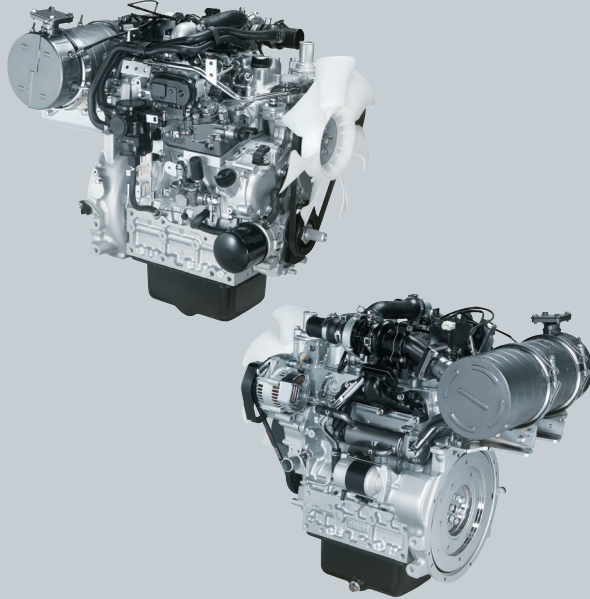
INDUSTRIAL DIESEL ENGINE

KUBOTA 03 SERIES (3-cylinder)

# D1803-CR-E4B

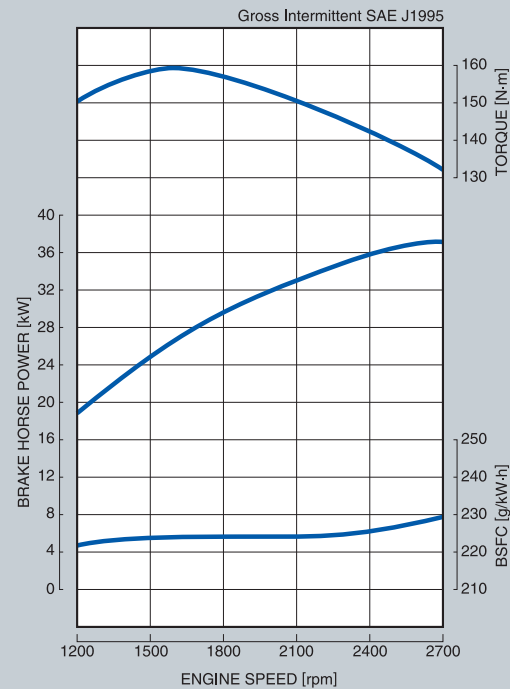
## RATED POWER

28.0kW @ 2700rpm



Turbo version Shown.  
Photographs may show non-standard equipment.

## PERFORMANCE CURVE



## FEATURES and BENEFITS

### Proven Reliability and New Technology

The latest technology and a strong performance – two things customers expect from Kubota engines. We continue to provide both by seeking excellence in three key areas: emission compliance, new strides in fully electronic controlled engines, and flexibility in products and services to customers worldwide.

### Emission Compliance

Meeting rigid emission regulations can be a challenge for any company. At Kubota, our 03 Series engines have been designed to comply with the most stringent regulations: The EPA Tier4 and the EU Stage IIIA. In addition, innovative emission solutions, such as an aftertreatment device, have also been integrated into the 03 Series engines.

### Clean and Quiet Power

The Common Rail System has made it possible to optimize combustion and create a more durable, quiet, and improved fuel-economy engine. By meticulously screening and controlling the exhaust gas aftertreatment components, Diesel Oxidation Catalyst (DOC) and Diesel Particulate Filter (DPF), we offer a cleaner high-performance engine.

### Flexibility

When working with customers in different countries and with different engine needs, flexibility is a must. Since Kubota 03 Series engines have evolved step-by-step to meet every EPA Tier, we provide the appropriate emission regulation certified engine to any customers worldwide. Added to that, we have designed aftertreatment device with minimum package impact for easy installation.

### Trust

The Kubota 03 Series is the best solution for your company's global marketing strategy. We continuously strive to meet your needs with the experience and expertise you expect and deserve.

# KUBOTA 03 SERIES D1803-CR-E4B

## GENERAL SPECIFICATION

Model		<b>D1803-CR-E4B</b>		
Emission Regulation		Tier4 / Stage III A		
Type		Vertical 4-cycle liquid cooled Diesel		
Number of Cylinders		3		
Bore	mm (in)	87.0 (3.43)		
Stroke	mm (in)	102.4 (4.03)		
Displacement	L (cu.in)	1.826 (111.43)		
Combustion System		DI		
Intake System		Naturally Aspirated		
Maximum Speed	rpm	2200	2400	2700
Output: Gross Intermittent	kW	23.0	25.0	28.0
	hp	30.8	33.5	37.6
Direction of Rotation		Counter clockwise Viewed on Flywheel		
Oil Pan Capacity	L (gal)	7.0 (1.8)		
Starter Capacity	V-kW	12-2.0		
Alternator Capacity	V-A	12-60		
Length	mm (in)	744.0 (29.30)		
Width	mm (in)	507.0 (20.00)		
Height	mm (in)	721.0 (28.40)		
Dry Weight	kg (lb)	185.0 (408.0)		

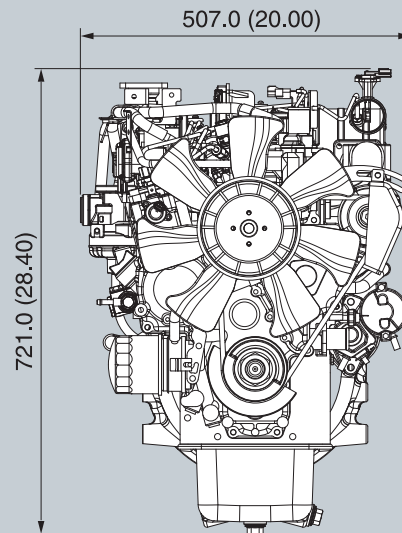
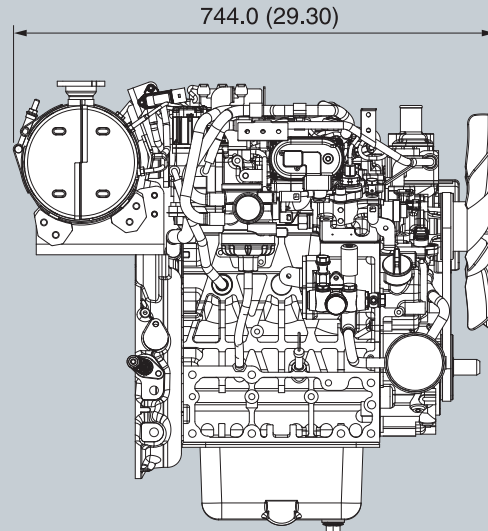
\*Specification is subject to change without notice.

\*Output: Gross Intermittent SAE J1995

\*Dry weight is according to Kubota's standard specification.

When specification varies, the weight will vary accordingly.

## DIMENSIONS



Final weight and dimension will depend on completed specification.

### Distribuidor Autorizado

Calle Uno - Mza. "A" - Lote 11 - Urb. Santo Tomas de Garagay  
Lima 31 - Perú

Teléfonos: (511) 535-7393 / (511) 556-2512

Celular: (51) 9835-15428

Nextel: 41\*351\*5428

E-mail: [laacadelaBobcat@bobcatservice.com](mailto:laacadelaBobcat@bobcatservice.com)

Web.: [www.kubotadieselmotors.com](http://www.kubotadieselmotors.com)



**BobCat's Service & Parts s.a.c.**

Maquinaria - Repuestos - Servicio Técnico Especializado - Alquileres

**KUBOTA ENGINE AMERICA**

505 Schelter Road Lincolnshire, IL 60069

Phone: 847-955-2500 Fax: 847-955-2501

[www.kubotaengine.com](http://www.kubotaengine.com)

**KUBOTA CANADA, LTD**

5900 14th Avenue, Markham, Ontario L3S 4K4

Phone: 905-294-7477 Fax: 905-294-1554

**For Earth, For Life**

**Kubota**

7/25/2013 - KEA2044