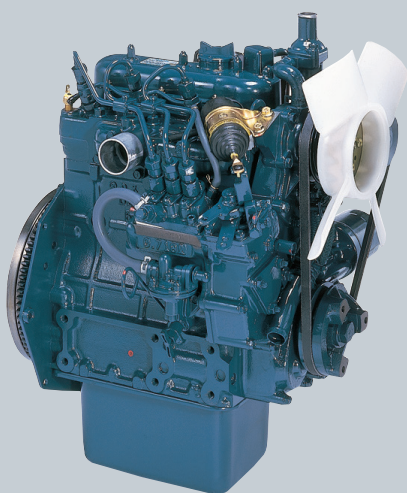
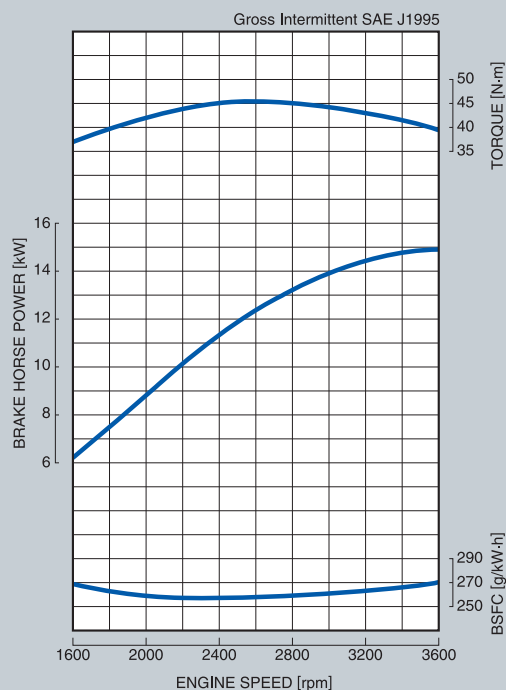


INDUSTRIAL DIESEL ENGINE
KUBOTA SUPER MINI SERIES (3-cylinder)

D722-E4B

RATED POWER
14.9kW @ 3600rpm


Photograph may show non-standard equipment.

PERFORMANCE CURVE

FEATURES and BENEFITS
Emissions

Kubota Super Mini Series, the most compact multi-cylinder liquid cooled industrial diesel engines, complies with EPA Tier 4 emissions regulations. These are the most stringent emissions regulations in the world in this class.

Kubota engine less than 19kW meets emission standards over the NRTC and also meets the NTE requirements.

Durable Power

The Kubota Super Mini Series has been chosen as a power source for a variety of applications since it was first launched 25 years ago. It has become the benchmark in the compact diesel engine market.

The D722 engine offers a seamless transition from Tier 2 to Tier 4 by totally maintaining the same performance and physical characteristics of the previous Tier 2 engines.

Alternative fuel engines, WG752-G (Gasoline), WG752-L (LPG) and WG752-GL (Dual Fuel:Gasoline/LPG) are available with the same footprint as the D722 engine.

Clean and Quiet Power

Kubota's original E-TVCS (Three Vortex Combustion System) has been further improved for better emissions.

KUBOTA SUPER MINI SERIES D722-E4B

GENERAL SPECIFICATION

Model		D722-E4B
Emission Regulation		Tier 4
Type		Vertical 4-cycle Liquid Cooled Diesel
Number of Cylinders		3
Bore	mm (in)	67 (2.64)
Stroke	mm (in)	68 (2.68)
Displacement	L (cu.in)	0.719 (43.88)
Combustion System		IDI
Intake System		Naturally Aspirated
Maximum Speed	rpm	3600
Output: Gross Intermittent (Industrial Use)	kW	14.9
	hp	20.0
Direction of Rotation		Counterclockwise Viewed on Flywheel
Oil Pan Capacity	L (gal)	3.8 (1.00)
Starter Capacity	V-kW	12-0.8
Alternator Capacity	V-A	12-12.5
Output: Stand-by (Generator Use)	kW	13.3
	hp	17.8
Output: Continuous (Generator Use)	kW	12.2
	hp	16.4
Length	mm (in)	435.1 (17.13)
Width	mm (in)	404.0 (15.91)
Height (1)	mm (in)	564.1 (22.21)
Height (2)	mm (in)	219.0 (8.62)
Dry Weight	kg (lb)	63.0 (139.1)

*Specification is subject to change without notice.

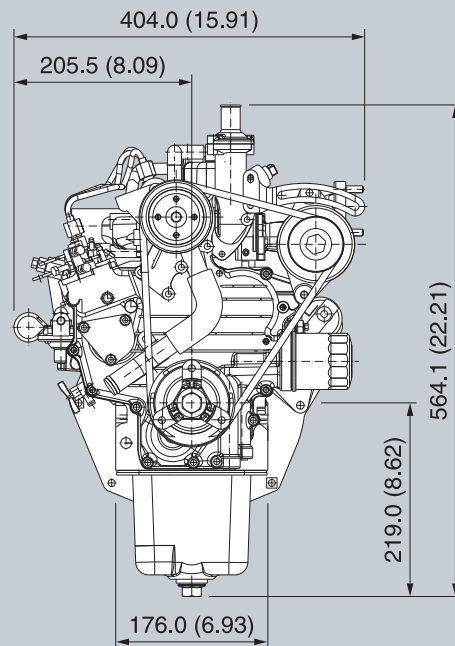
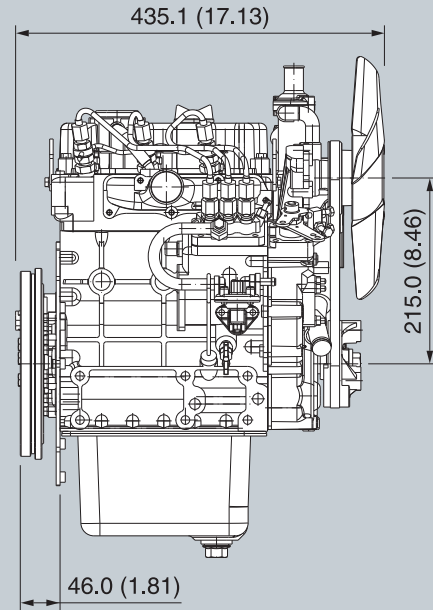
*Output: Gross Intermittent SAE J1995

*Output: Stand-by, Continuous ISO 3046

*Dry weight is according to Kubota's standard specification.

When specification varies, the weight will vary accordingly.

DIMENSIONS



Distribuidor Autorizado

Calle Uno - Mza. "A" - Lote 11 - Urb. Santo Tomas de Garagay
Lima 31 - Perú

Teléfonos: (511) 535-7393 / (511) 556-2512

Celular: (51) 9835-15428

Nextel: 41*351*5428

E-mail: lacasadelbobcat@bobcatsservice.com

Web.: www.kubotadieselmotors.com



BobCat's Service & Parts S.A.C.

Maquinaria - Repuestos - Servicio Técnico Especializado - Alquileres

KUBOTA ENGINE AMERICA
505 Schelter Road Lincolnshire, IL 60069
Phone: 847-955-2500 Fax: 847-955-2501
www.kubotaengine.com

KUBOTA CANADA, LTD
5900 14th Avenue, Markham, Ontario L3S 4K4
Phone: 905-294-7477 Fax: 905-294-1554

For Earth, For Life

Kubota