



Bobcat[®]

**New S750 and S770
Skid-Steer Loaders**

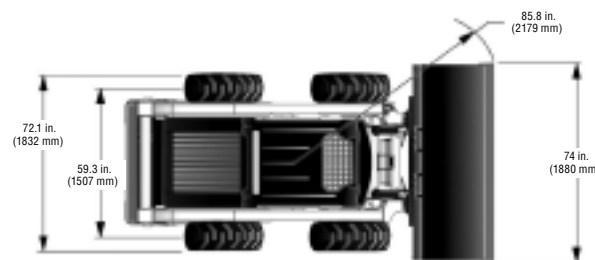
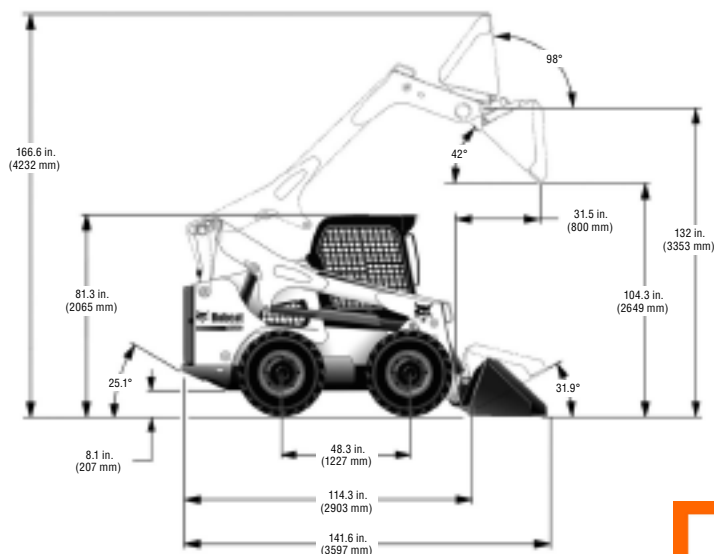


One Tough Animal[™]

Bobcat® S750 and S770 Skid-Steer Loaders

Specifications

Loader	S750	S770
Loader Series	M-Series	M-Series
Rated Operating Capacity (ROC)	3200 lb. (1452 kg)	3350 lb. (1520 kg)
ROC with Counterweight (optional)	Counterweight kits are available to increase ROC. See dealer on available kits and ROC increases for your loader.	
Tipping Load	6400 lb. (2903 kg)	6700 lb. (3039 kg)
Height to Hinge Pin	132 in. (3353 mm)	132 in. (3353 mm)
Lift Arm Path	Vertical	Vertical
Size and Speed		
Operating Weight	8730 lb. (3960 kg)	9175 lb. (4162 kg)
Bucket Width	74 in. (1880 mm)	74 in. (1880 mm)
Cab Height	81.3 in. (2065 mm)	81.3 in. (2065 mm)
Travel Speed - Low Range	7.1 mph (11.4 km/hr.)	7.1 mph (11.4 km/hr.)
Travel Speed - High Range	12.3 mph (19.8 km/hr.)	12.3 mph (19.8 km/hr.)
Engine		
	Tier III Compliant	Tier III Compliant
Horsepower	85 hp	92 hp
Type	Turbo Diesel	Turbo Diesel
Fuel Tank Capacity	27.2 gal (103.1 L)	27.2 gal (103.1 L)
Horsepower Management	Included with SJC Option	Included with SJC Option
Uptime Protection		
Axle Grease	Never	Never
Required Chain Adjustment	Never	Never
Standard Features		
Axle Seal Protection	Dual Path Cooling System	
Back-up Alarm & Horn	Fingertip Auxiliary Hydraulics Control	
Bob-Tach™ Mounting System	Front and Rear Work Lights	
Bobcat Heavy Duty Tires	Machine Shutdown Protection	
Bobcat Interlock Control System (BICSTM)	Pressure Release Hydraulic Quick Couplers	
Bobcat SmartFAN™	ROPS/FOPS Approved Cab Structure	
Bobcat Standard Controls:		
Foot Pedals/ Steering Levers		
Options/Accessories		
Air Ride Seat	Deluxe Instrumentation (includes Keyless Start)	
Attachment Control Kit	Hydraulic Bucket Positioning	
Bobcat Heavy Duty	Mechanical Suspension Seat	
Bobcat Severe Duty	Power Bob-Tach™	
Bobcat Super Float	Radio	
Cab with Heat	Radio Remote Control (SJC Required)	
Cab with Heat & Air Conditioning	Ride Control	
Control Options:	Sound Reduction Package	
Advance Control System (ACS)	2-Speed	
Selectable Joystick Control (SJC)		
Features for Attachments		
Hydraulic System Pressure	3500 psi	3500 psi
Hydraulic Standard Flow	23 gpm (87.1 L/min.)	23 gpm (87.1 L/min.)
Hydraulic High Flow (optional)	36.5 gpm (138.2 L/min.)	36.5 gpm (138.2 L/min.)
Speed Management	Included with SJC Option	Included with SJC Option



We've raised the bar. Again.

More lifting power. Higher reach. Improved hydraulic flow. It all adds up to greater on-the-job performance and productivity with the maneuverable new 700 platform from Bobcat – unquestionably one of the most versatile skid-steer loaders you can buy.

The new S750 and S770 models deliver an incredible 11 feet of vertical lift, 23 gpm standard hydraulic flow and 36.5 gpm high flow with 3,500 psi hydraulic relief pressure, giving you the power and reach you need for the most demanding tasks.

Both feature the latest Bobcat Comfort Cab improvements, including cab-forward design, better visibility, a cleaner, quieter pressurized working environment, and optional radio and air suspension seat.

Serviceability improvements include an easier-to-clean cooling system, more efficient hydraulics with an easy-to-read level indicator, and end-greased pins at vital locations. Uptime protection improvements include a redesigned rear bumper and integrated quick couplers to keep you rolling with minimum maintenance time.

NOTE - Where applicable, dimensions are in accordance with Society of Automotive Engineers (SAE) and ISO standards. Specifications and design are subject to change without notice. Pictures of Bobcat units may show other than standard equipment. All dimensions are given for loader equipped with standard tires. All dimensions are shown in inches. Respective metric dimensions are enclosed by parentheses. Bobcat Company complies with the requirements of ISO 9001 as registered with BSI.

The Bobcat Attachments Advantage: Bobcat attachments are engineered and manufactured to fit Bobcat loaders for optimum job performance, dependability and durability.

Bobcat Attachments for these models:

- Angle Broom*
- Auger
- Backhoe
- Box Blade
- Brushcat™
- Rotary Cutter
- Brush Saw
- Buckets
- Bucket Adapter
- Chipper*
- Combination Bucket
- Concrete Pump*
- Digger
- Dozer
- Drop Hammer
- Dumping Hopper
- Flail Cutter
- Forks, Utility
- Forestry Cutter
- Grader
- Grapple, Industrial
- Grapple, Root
- Grapple, Utility
- Hydraulic Breaker
- Landplane
- Landscape Rake
- Mower
- Packer Wheel
- Pallet Fork
- Pallet Fork, Hydraulic
- Planer*
- Rear Stabilizer
- Scarifier
- Scraper
- Seeder
- Silt Fence Installer
- Snow Blade
- Snow Pusher
- Snow V-Blade
- Snowblower*
- Sod Layer
- Soil Conditioner
- Spreader
- Steel Tracks
- Stump Grinder*
- Sweeper
- Three-Point
- Hitch Adapter
- Tiller
- Tree Spade
- Trencher
- Utility Frame
- Vibratory Roller
- Water Kit
- Whisker Broom
- Wheel Saw
- X-Change Frame

*Attachment Control Kit required.



Printed on 10% recycled paper

Visit bobcat.com/anyjob for more information

B-1871 (1/11)

Distribuidores Autorizados

Calle Uno - Mza. "A" - Lote 11 - Urb. Santo Tomás de Garagay
San Martín de Porres - Lima - Perú

Teléf.: 535-7393 / 556-2512 / Anexo: 21
Entel: 998 977 080
RPM: #999 158 686 / RPC: 989 806 750
E-mail: lacasadelbobcat@bobcatservice.com
Web: www.bobcatservice.com

BobCat's Service & Parts S.A.C.

Ventas - Repuestos - Servicio Técnico Especializado - Alquileres